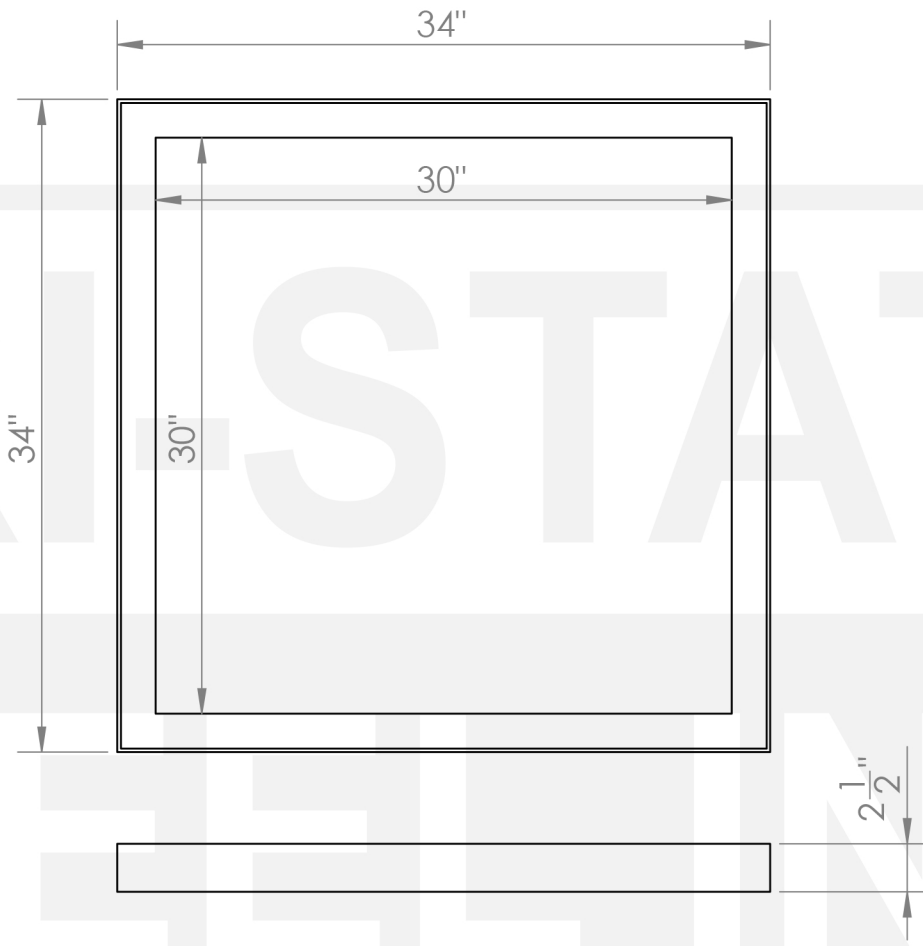


TRI-STATE
STEEL INC.



BOM

MARK	QTY	MATERIAL
1	4	ANGLE: 2" x 2 1/2" x 33 13/16"
2		
3		
4		
5		

**TRI-STATE
STEEL INC.**

3030 TRAF F

SCALE: 1:10 WEIGHT:

SHEET 1 OF 1